

evoflow®

HIGH PERFORMANCE PUMPS



- ✓ High Water Flow
- ✓ Low Noise Operation
- ✓ Engineering Grade Thermoplastic
- ✓ Proudly Australian Made
- ✓ 3 Year Warranty

PREMIUM SERIES PUMPS

evolution®

WATER & LIGHTING SOLUTIONS

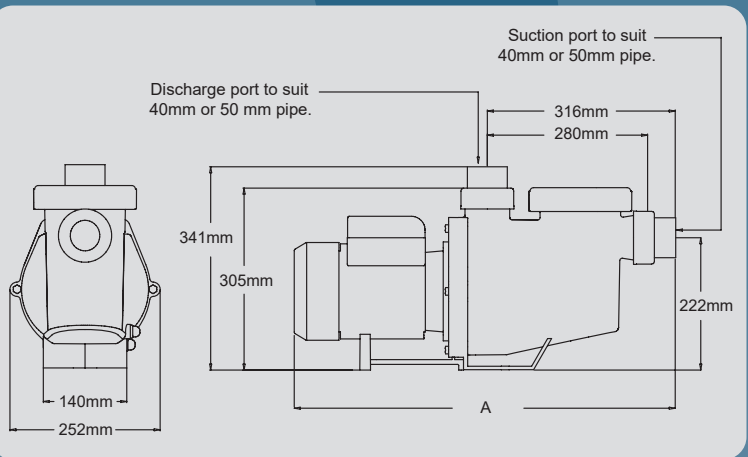
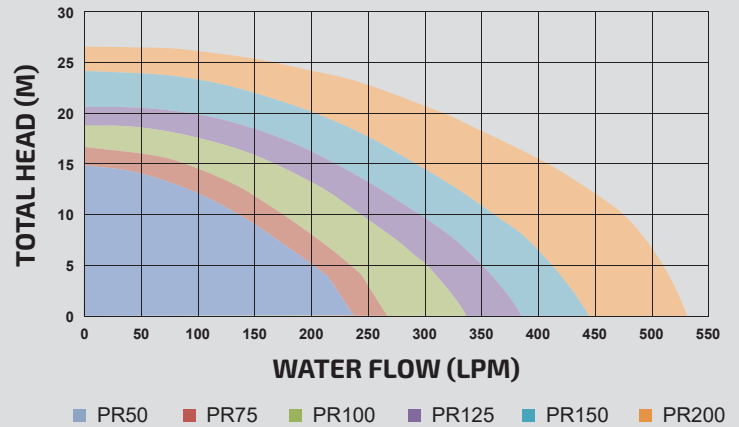
www.evolutionwls.com.au

The Evoflow Premium Series range of pumps are made in Australia using only the highest quality parts and materials, offering superior performance and exceptional reliability. The Premium Series has been engineered to deliver maximum flow rates with smooth and quiet operation for any pool.

The Evoflow PR Advantage

- Built for the toughest environments.
- Developed and manufactured in Australia.
- Strong, thick walled, one piece pump body made from a high grade engineering thermoplastic that is corrosion resistant.
- Powerful and reliable motor, designed and rated for continuous operation ensures a long bearing life.
- Built in thermal overload protects the motor against damage from overheating.
- Only the highest quality components used for assembly - stainless steel pump shaft, ceramic seal, stainless steel nuts and bolts.
- Balanced impeller design ensures low noise operation whilst offering excellent priming.
- Large robust leaf basket requires less cleaning and is positively located ensuring correct alignment.
- Easy to remove inspection lid for simple routine maintenance and cleaning of leaf basket.
- No stress on the lid o-ring as clamping pressure is used rather than twisting pressure.
- Self aligning barrel unions allows for quick and easy installation and removal.
- Barrel unions are suitable for both 40mm and 50mm PVC pipe connections.

PR Series Performance



Specifications

Model	HP	Flow Rate @ 8m Head	Volts / Phase	Full Load Amps	Watts Input	Max Noise dBa @ 1m	Length of Pump (A)
PR50	0.50	160	240/1	2.98	690	55	605
PR75	0.75	190	240/1	3.60	850	58	625
PR100	1.00	270	240/1	4.10	950	60	605
PR125	1.25	330	240/1	4.97	1150	62	610
PR150	1.50	380	240/1	6.40	1500	63	625
PR200	2.00	490	240/1	8.60	1980	65	655

Warranty

- 3 year limited warranty.
- 12 months for commercial installations.